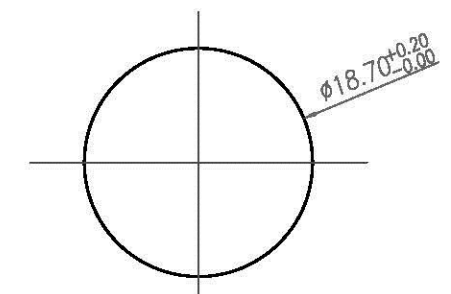
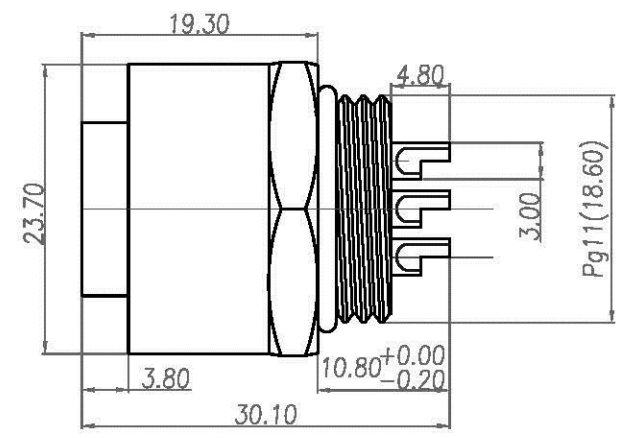
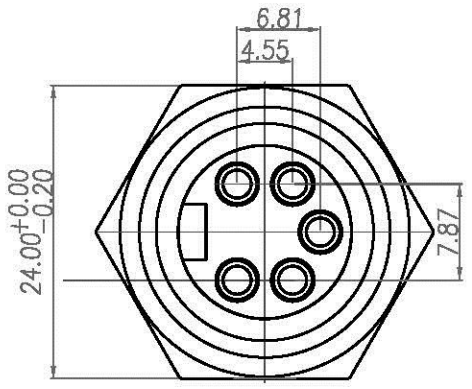
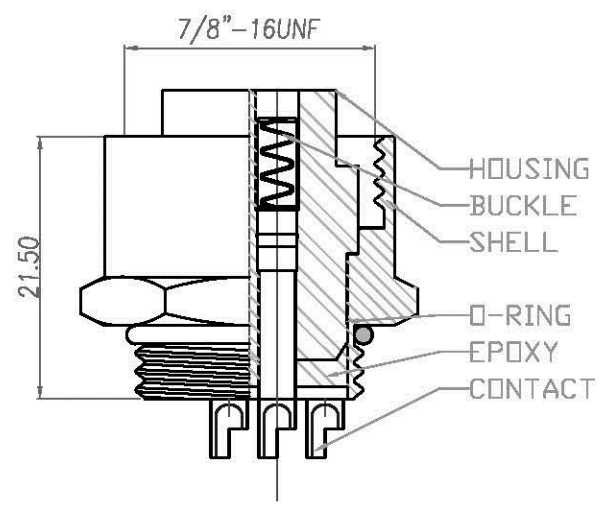


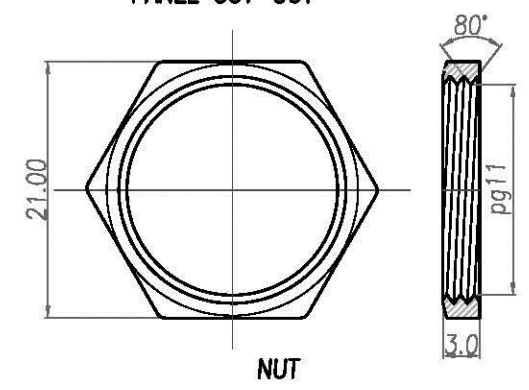
Rev	Revisions	Rev.Drawn	Date
A		Du	07.OCT.2011



PANEL CUT-OUT



1. MATERIAL :
 - 1-1. HOUSING : PBT UL94V-0 ; COLOR : YELLOW
 - 1-2. CONTACT : BRASS
 - 1-3. BUCKLE : BRASS
 - 1-4. SHELL : BRASS
 - 1-5. O-RING : NBR(15.3*0.8) ; COLOR : BLACK
 - 1-6. Epoxy resin : EF400A&EF400B ; COLOR BLACK
2. FINISH :
 - 2-1. CONTACT : 30 MICRO INCHES MIN. GOLD PLATED UNDER PLATE : NICKEL
 - 2-2. BUCKLE : MATTER-TIN PLATED
 - 2-3. SHELL : NICKEL PLATED
3. ELECTRICAL SPECIFICATION :
 - 3-1. Rated current : 20A
 - 3-2. Rated Voltage : 250V
 - 3-3. Water proof: IPX7
4. Environmental :
 - 4-1. Operation Temperature : -20°C~85°C



NUT

All Connectors

www.allconnectors.de info@allconnectors.de
 Tel.: 0049 711 7009503 Fax: 0049 711 7009504
 70794 Filderstadt - Germany Kettnerstr. 25

SGS Report No.:	Customer:	Part No.:
		7/8FP-B-A-BL-P011-C-S-030-B-N-1
Title: 7/8 FEMALE SOLDER TYPE BACK LOCK for PANEL		
Drawn By: Storm.Li	SCALE: 1:1	SHEET: 1/1
Checked By: du	REV.:	A
Approved By: Tony	DWG NO.:	SST-110531-19
	Third angle Projection	
	General Dimension Tolerance	Units: mm
		TOLERANCE JK ±0.20 JJK ±0.10 J0JK ±0.05 J00JK ±0.03 ANGLA ±1°